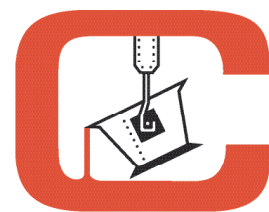
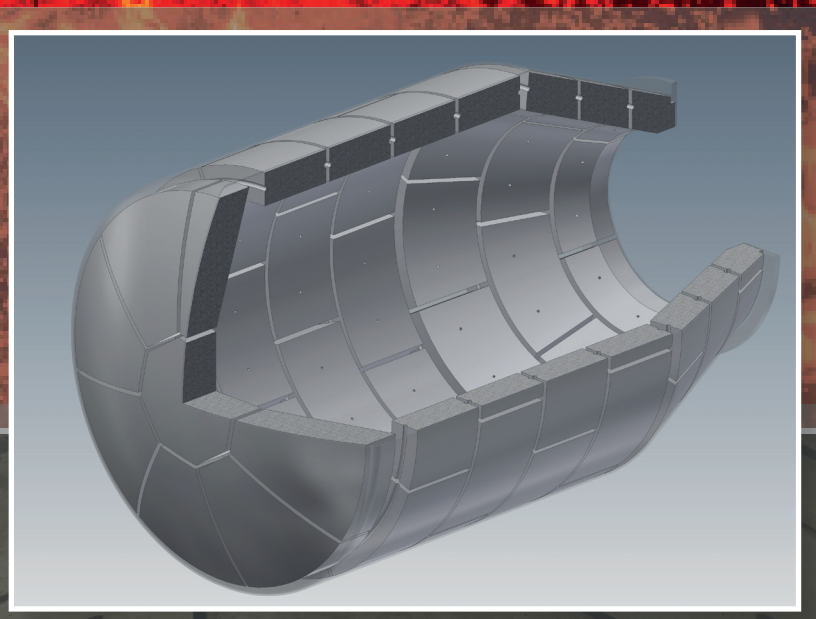


# Speed-Line

Big Block Solutions for Aluminium



CAPITAL REFRACTORIES

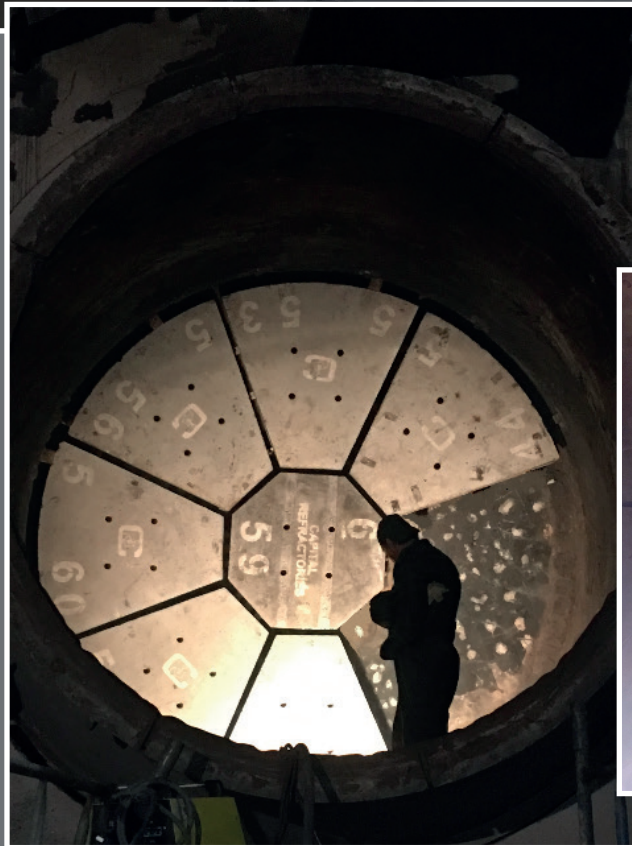




## Bringing you the Best in Design and Innovation

Capital Refractories is pleased to introduce our innovative Speed-Line big block system for the lining of tilting rotary furnaces. Speed-Line offers our customers a flexible design concept that can be tailored to most furnace designs and

operating conditions. Capital's team of aluminium experts will work alongside customers to find the optimum lining solution. Key design considerations include: furnace life, furnace capacity and heat loss.



## What is Speed-Line?

Speed-Line is an innovative furnace application that can be tailored to individual requirements.

Capital's team of experts work alongside customers to generate 3D mechanical and thermal models to achieve the very best design solutions.

Our services cover every stage in the process and include complete design, mould manufacture, production, installation and supervision.

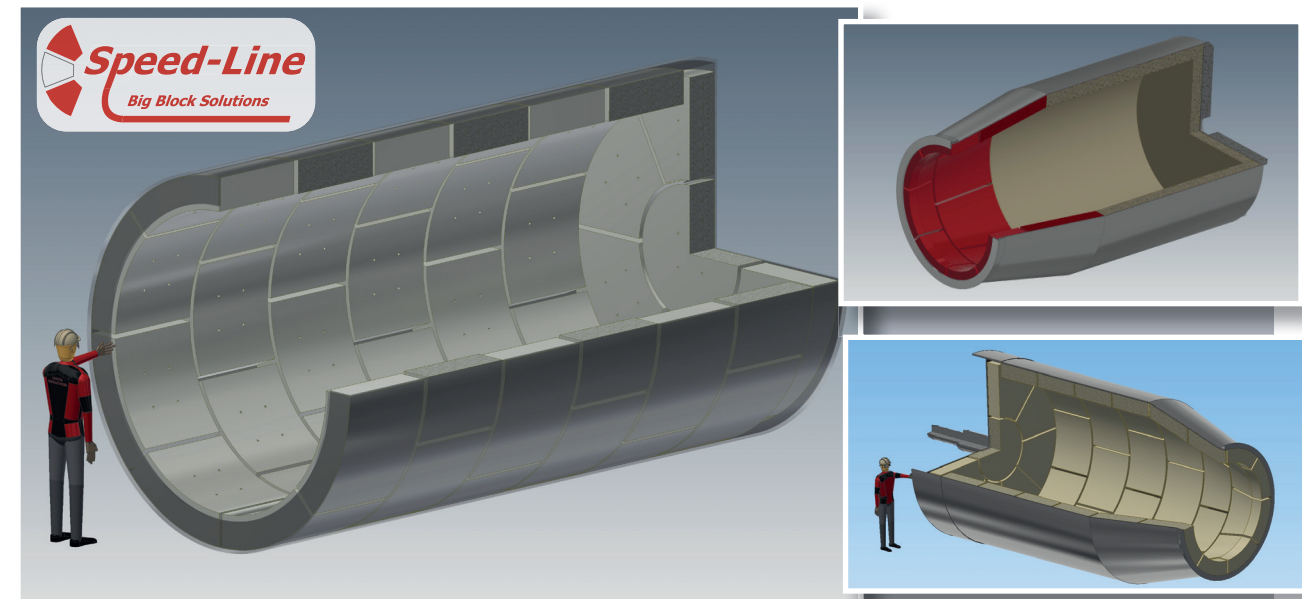
Production is carried out in fully controlled conditions ensuring optimum properties are

achieved and that blocks are fully dried to remove any moisture.

Our manufacturing process is certified to ISO9001 and samples are tested to ensure the finished product meets only the highest of standards. Full traceability is also maintained throughout the manufacturing and installation process.

### Installation

Our team can provide a full installation service or give supervision to either the customer's own maintenance team or local labour.



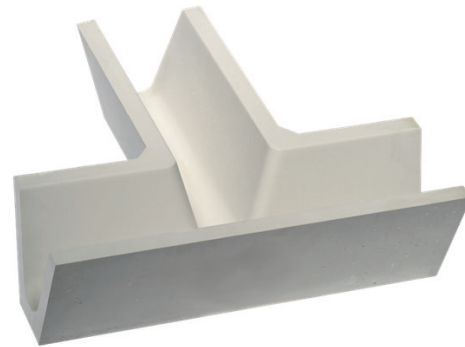
## Key Advantages

- Reduced installation time
- Increase in campaign life by up to 50%
- Mixing blocks can be included to reduce melt times and salt usage
- Reduced preheat/dryout time
- Unlimited shelf life
- Can be installed in extreme hot or cold conditions
- Offers the possibility of increased insulation and reduced heat loss
- Reduction in furnace lining thickness allowing increase in capacity
- Material 'zoning'. High wear areas in the barrel can have higher specification materials or the addition of steel fibres
- Easy localised repair of high wear areas
- Reduced labour required compared with standard casting practice



## Solutions for the Aluminium Industry

Capital Refractories supplies a comprehensive range of refractory solutions to the aluminium industry and other heat using industries. Our services include production and supply of furnace linings and consumable products, refractory engineering and installation and product development. Please get in touch for any more information.



## Capital Manufacturing Plants Worldwide

### UK (Headquarters)

Capital Refractories Limited  
Station Road, Clowne,  
Chesterfield,  
Derbyshire S43 4AB  
T +44 (0) 1246 811163  
E sales@capital-refractories.com

### UK

Capital Injection Ceramics Limited  
Unit 6, Cronin Road,  
Weldon South Industrial Estate, Corby,  
Northamptonshire NN18 8AQ,  
T +44 (0) 1536 205813  
E info@capitalicl.com

### UK

Pyemetric Refractories Ltd  
Westerby Road,  
Middlesborough  
TS3 8TD  
T +44 (0) 1642 247 711  
E info@capital.com

### USA

Capital Refractories Inc.  
1548 Mims Ave.  
SW Birmingham,  
AL 35211  
T +1 205-443-7963  
E infoUS@capital-refractories.com

### India

Capital Refractories India  
Bhandari warehouse B,  
No 455/1, Perambakkam Main Road  
Mannur village, Sriperumbudur Taluk,  
Chennai : 602105  
T +91 96 000 88 486  
E Naresh.Kumar@capital-refractories.com

### China

Capital Refractories  
(Shanghai) Technology Ltd.  
Room O, 6th Floor,  
No. 1590 Yan An West Road,  
Shanghai 200052, P.R.China  
T +86 21 5204 6960  
E service@capital-shanghai.com

### Czech Republic

Capital Refractories s.r.o.  
Podnikatelů 909  
739 64 Šenov  
T +420 596 832 910  
E infoCZ@capital-refractories.com



**CAPITAL REFRACTORIES**